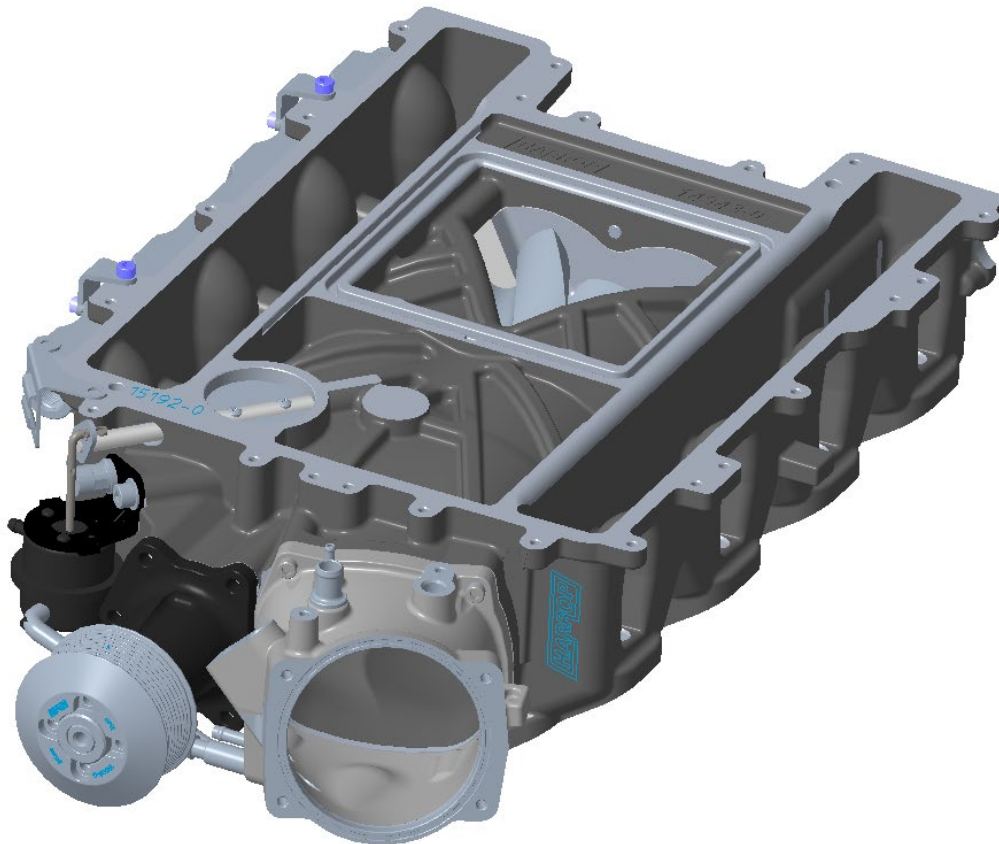




Installation Guide

H2650i

LSA OEM 1900 UPGRADE



The Harrop LSA-H250i Supercharger Tuner kit has been developed for GM LSA engine found in HSV, ZL1 and CTS-V models.

This document is meant only as a guide, as any vehicle modification should be completed by a certified technician who has the relevant experience and equipment to be competent of a safe and effective supercharger installation.

Installation Guide

Supercharger upgrade from OEM LSA 1900



Important Information

Installing the supercharger indicates your acceptance of the responsibility and liability associated with the fitment and use of this product. Please ensure the owner and drivers of the supercharged vehicle are aware of their responsibilities and liabilities as indicated below.

Thank you for purchasing this supercharger which has been designed and made with pride. The owner and drivers of the enhanced vehicle must be aware that fitment of a supercharger may affect:

- The vehicle's factory warranty.
- Insurance cover and associated liabilities.
- Compatibility with emission and roadworthy certification.
- The validity of a driver's license for a supercharged vehicle.
- The handling & braking capability of the vehicle due to increased engine power & torque characteristics.
- The longevity of the engine.
- The vehicle will need to use premium unleaded fuel only (98 RON).

It is the owner's/driver's responsibility to accept any consequences and liabilities of using the supercharger and any subsequent effect it may have. Harrop Engineering shall not be liable and shall be 'Held Harmless' for any direct and/or indirect/consequential losses, costs, damages, expenses, injuries or liabilities whatsoever incurred by the owner/driver of the vehicle or other parties arising from this supercharger, its installation and/or its operation. It is recommended that vehicles have completed 1,500 km and have been driven, serviced and maintained in accordance with the vehicle manufacturer's handbook before fitting a supercharger. An engine should be deemed reliable and have delivered all reasonable expectations in line with the vehicle manufacturer's specifications prior to fitting a supercharger.

Warranty.

This supercharger is covered by a limited warranty on components and workmanship for a period of 36 months from the date of purchase, subject to the following:

- Installation must be completed by a qualified motor mechanic or technician who has undertaken appropriate training in fitting Harrop superchargers.
- The supercharger has not been modified or "overdriven" by fitting alternative drive pulleys.
- The supercharged vehicle has been tuned by an appropriately qualified and experienced technician.
- The supercharged vehicle has been driven in accordance with the conditions specified by the vehicle manufacturer's normal use of operation, driving care and vehicle service program.
- The supercharged vehicle has not been used for competitive racing.

No warranty shall apply where Harrop have determined improper fitment or handling, misuse in operation, neglect, or accident damage. Engine modifications made prior to or in conjunction with the supercharger fitment may invalidate the Harrop limited warranty. Any warranty claims must be made immediately & directly in writing to Harrop Engineering so that a determination can be made promptly. Involvement of a third party or an attempt to repair a perceived/actual fault may invalidate the warranty. To the extent of the law, the determination on any warranty claim & associated costs will be at the sole discretion of Harrop Engineering.

By installing the supercharger you acknowledge that all conditions pertaining to this supercharger and its operation have been read, understood and accepted.

Preparation

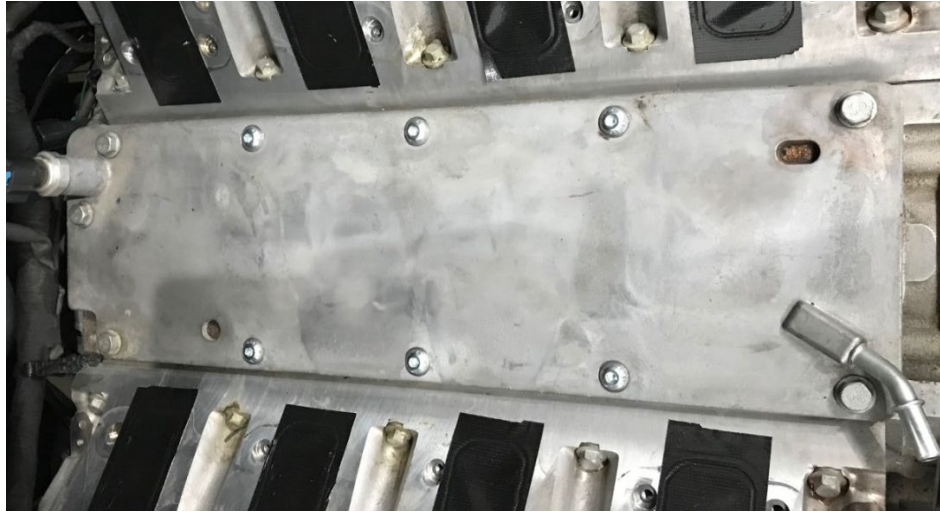
Ensure the fuel tank contains 98-RON (93-AKI) fuel.

RHS of vehicle is from the driver's perspective when in the driving position.

Allow the engine to cool before starting installation, disconnect the battery.

ENGINEERING PERFORMANCE SINCE 1955

- Begin by removing the original supercharger manifold and place it aside.
- Mount/fix the selected manifold gaskets to the new supercharger.
- Prior to fitting the actual supercharger exchange the 6 centre valley bolts with the 6 button head screws supplied (M8x25 long), torque to 25Nm.



- Prior to the lid being bolted back on remove the boost control solenoid valve from the factory bracket.
- Insert the valve into the new bracket supplied.
- Using the a combination of the 3 hoses connect the solenoid valve to the manifold fitting located in the upper right front and the other outlet from the valve to the by-pass actuator. (The centre outlet of the valve connects to the by-pass actuator, the tube closest to the electrical plug goes to the manifold tube).
- Once this has been connected it will mount as per image below with the existing lid screws.

